

SHOCKWAVE COMMANDER

by Corbin



FEEL BETTER.

USER MANUAL

MARINE SUSPENSION SEATING

Part ID: SW-04920



TRAVEL FARTHER.

CUSTOMER SERVICE

At **SHOCKWAVE**, we've proven that innovation and attention to the highest safety standards can protect boaters from the shock of wave impact. As avid boaters ourselves, we understand what our customers value most – and we create the best marine suspension seats in the world to provide a safer, more comfortable and exciting ride.

For customer inquiries and service support contact **+1.778.426.8544** or support@shockwaveseats.com

Serial Number:

ADDRESS	2074 Henry Ave. Sidney, BC Canada V8L 5Y1
WEBSITE	shockwaveseats.com
SALES	+1.778.426.8545
RECEPTION	+1.250.656.6165
HOURS	8AM to 5PM PST

INCLUDED WITH YOUR PURCHASE - PARTS LIST:

- 1 – Commander – Fixed Back Seat
- 4 – 5/16x1" Countersunk Cap Screw
- 4 – 5/16 Flat Washer
- 4 – 5/16 Nylock Nut
- 12 – Snap Base
- 12 – Snap Cap
- 12 – 1/4x1" Button Head Screw

TOOLS AND MATERIALS - IMPERIAL TOOLS REQUIRED:

- 3/16" Allen Key
- 1/2" Wrench or Socket
- 9/64" Allen Key

MATERIALS REQUIRED:

- Loctite 243 Medium Strength Thread Locker or Equivalent
- Loctite 248 Semisolid Thread Locker

SHOCKWAVE

MARINE SUSPENSION SEATING

INSTALLATION MANUAL CONTENTS

INSTALLATION INSTRUCTIONS OVERVIEW

4

COMMANDER INSTALLATION INSTRUCTIONS

5

COMMANDER INSTALLATION ON SHOCKWAVE SWIVEL OR SLIDE

7

COMMANDER SEATBELT INSTRUCTIONS

10

HEATED SEAT WIRING INSTRUCTIONS (sold separately)

12

RECREATIONAL PRODUCT LINE

16

WARRANTY AND WARRANTY POLICY

18

JOIN THE SHOCKWAVE COMMUNITY

19



JOIN THE SHOCKWAVE COMMUNITY



[@SHOCKWAVESEATS](#)



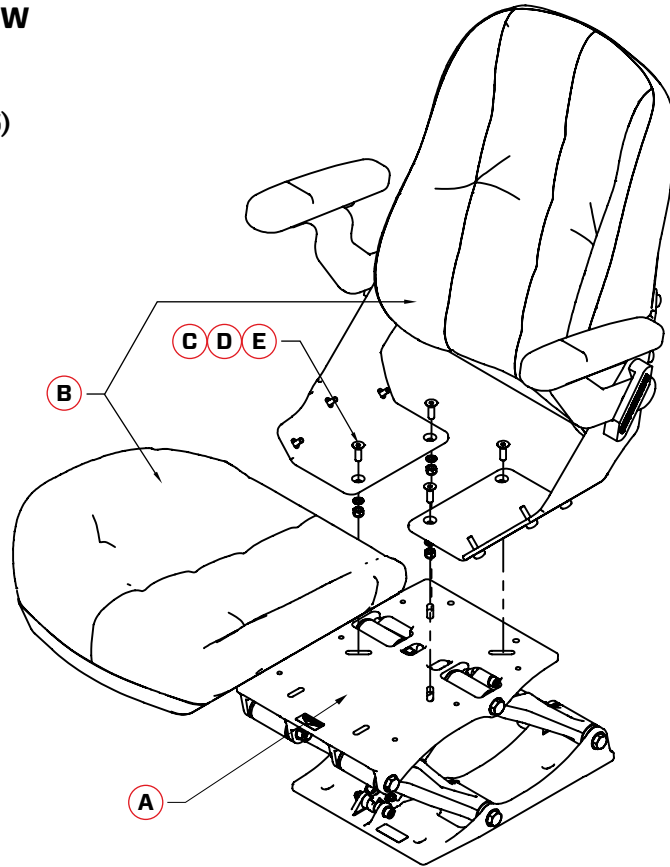
[@SHOCKWAVESEATS](#)



youtube.com/shockwaveseats

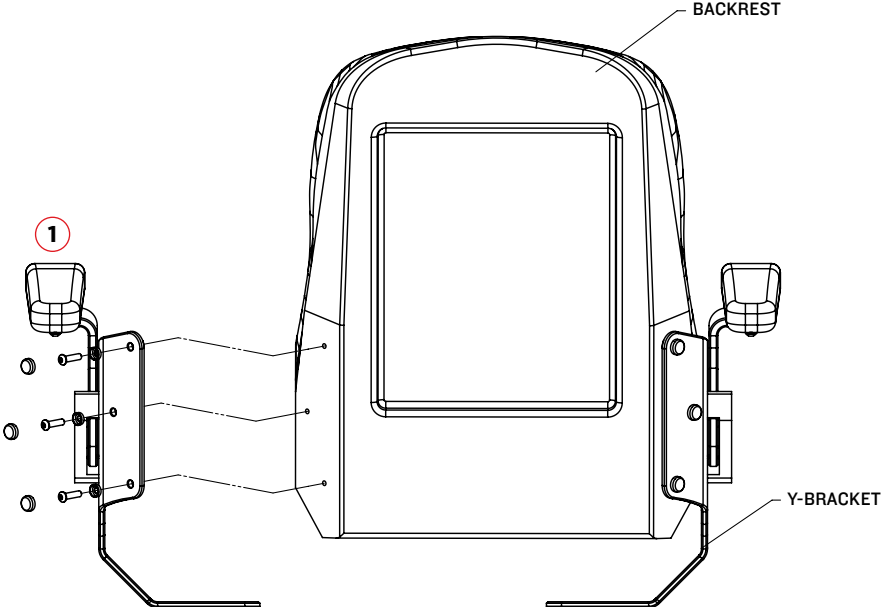
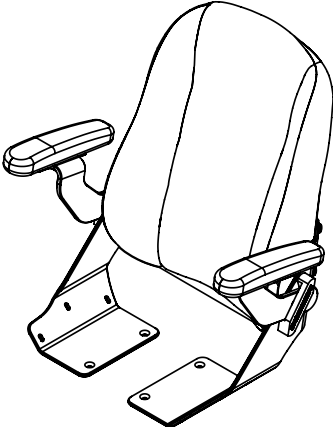
INSTALLATION INSTRUCTIONS OVERVIEW

- A** 1 – Marine Suspension Module (S5 Sentinel or S5)
- B** 1 – Commander – Fixed Back Seat
- C** 4 – 5/16 x 1" Countersunk Screw
- D** 4 – 5/16 Flat Washer
- E** 4 – 5/16 Nylock Nut



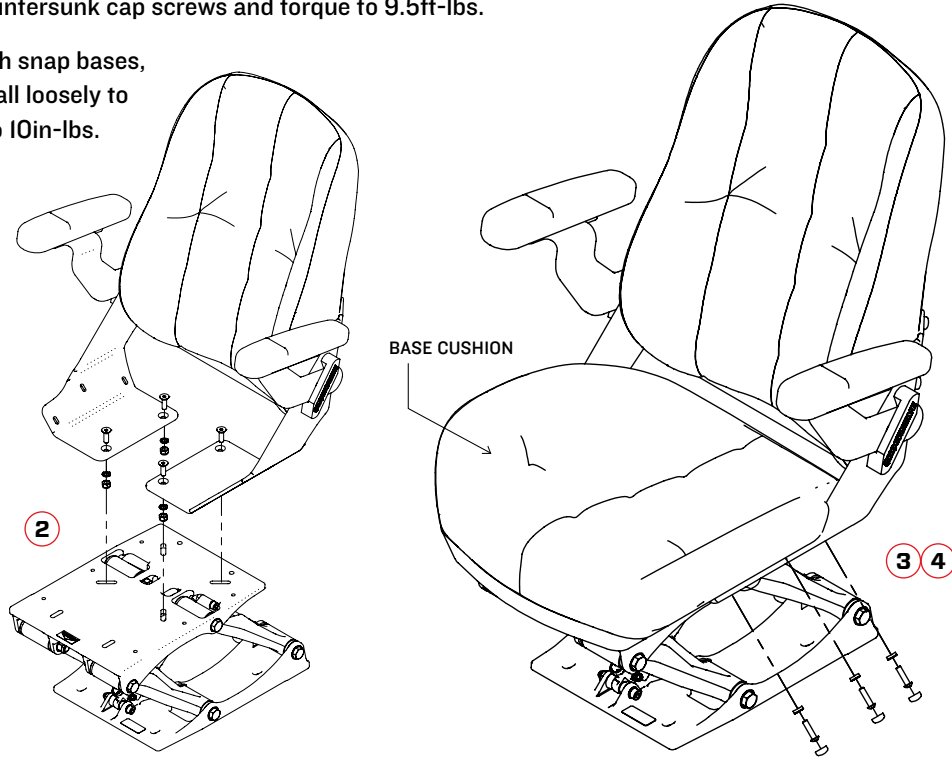
COMMANDER INSTALLATION INSTRUCTIONS

- I. Pass six 1/4 x 1" fasteners through snap bases, then apply Loctite 243 and install the two Y brackets onto the backrest using the fasteners and torque to 10in-lbs.



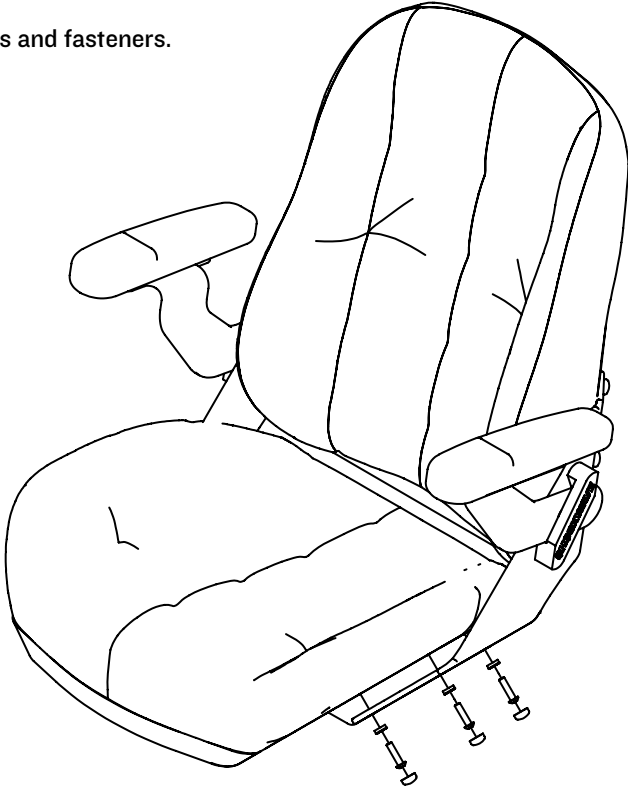
COMMANDER INSTALLATION - MARINE SUSPENSION MODULE

2. Bolt backrest assembly onto Suspension Module with nylock nuts and flat washers using four 5/16 x 1" countersunk cap screws and torque to 9.5ft-lbs.
3. Pass six 1/4x1" fasteners through snap bases, then apply Loctite 243 and install loosely to base cushion before torquing to 10in-lbs.
4. Install snap caps.



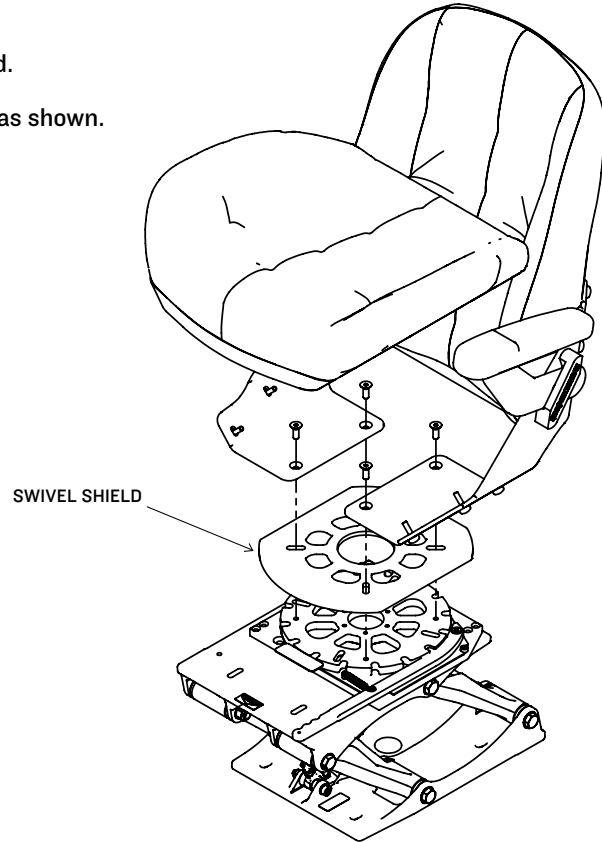
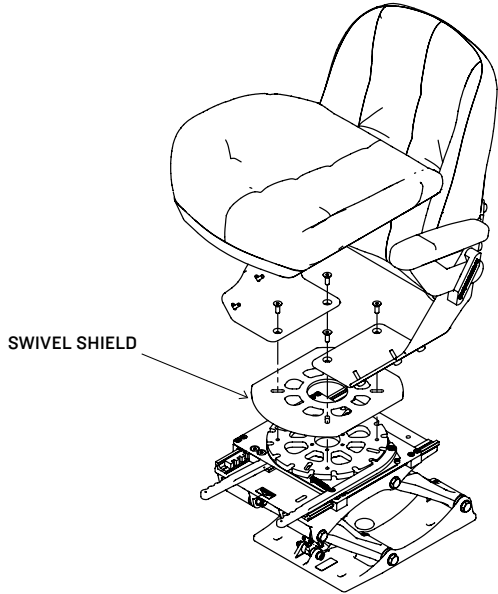
COMMANDER INSTALLATION ON SHOCKWAVE SWIVEL OR SLIDE

- I. Remove the base cushion by removing the 6 snap caps and fasteners.



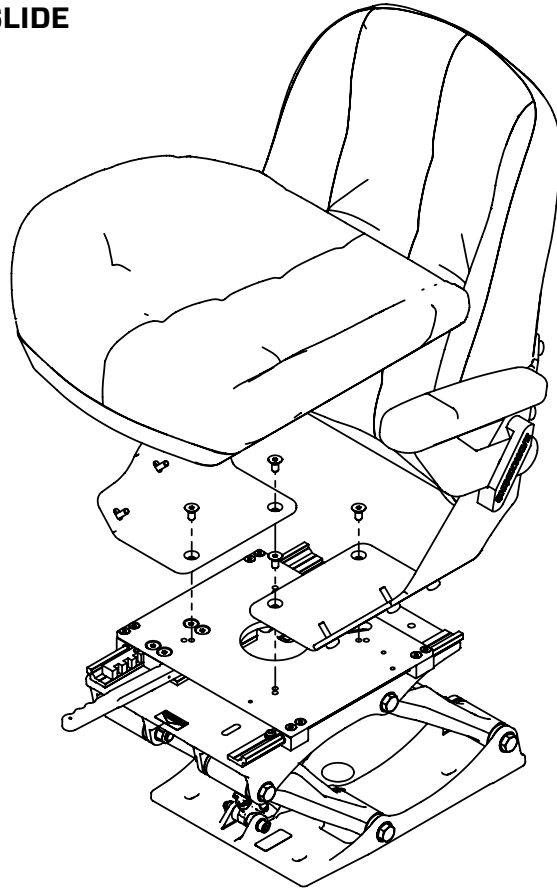
COMMANDER INSTALLATION ON SHOCKWAVE SWIVEL

1. Apply Loctite 243 to the threads of the 4 fasteners provided.
2. Loosely install all fasteners with the swivel shield oriented as shown.
3. Torque fasteners to 8nm [70in-lbs] - do not over tighten



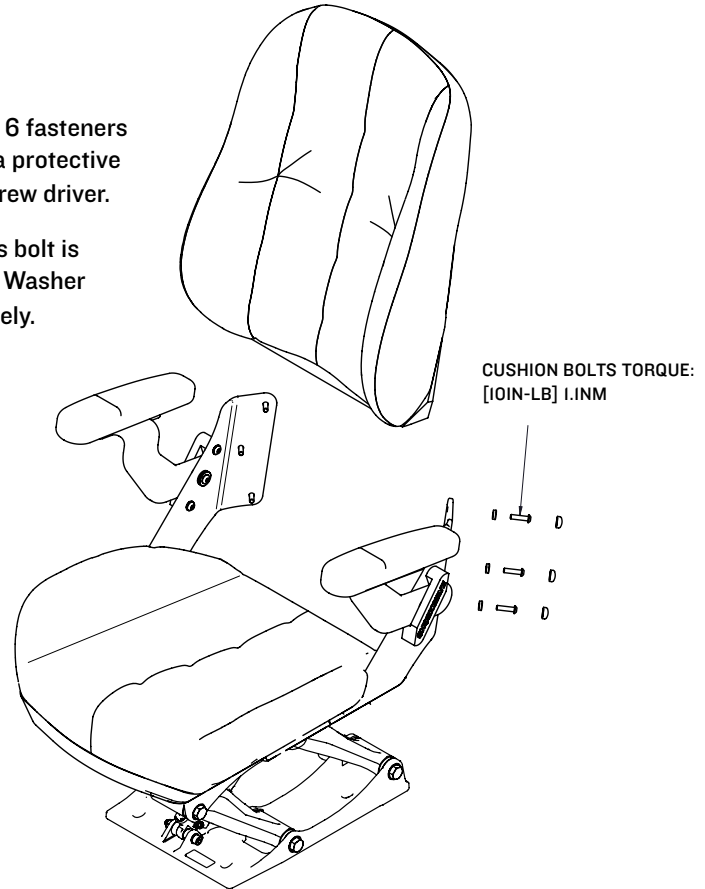
COMMANDER INSTALLATION ON SHOCKWAVE SLIDE

1. Apply Loctite 243 to the threads of the 4 fasteners provided.
2. Loosely install all fasteners.
3. Torque fasteners to 8nm [70in-lbs] - do not over tighten



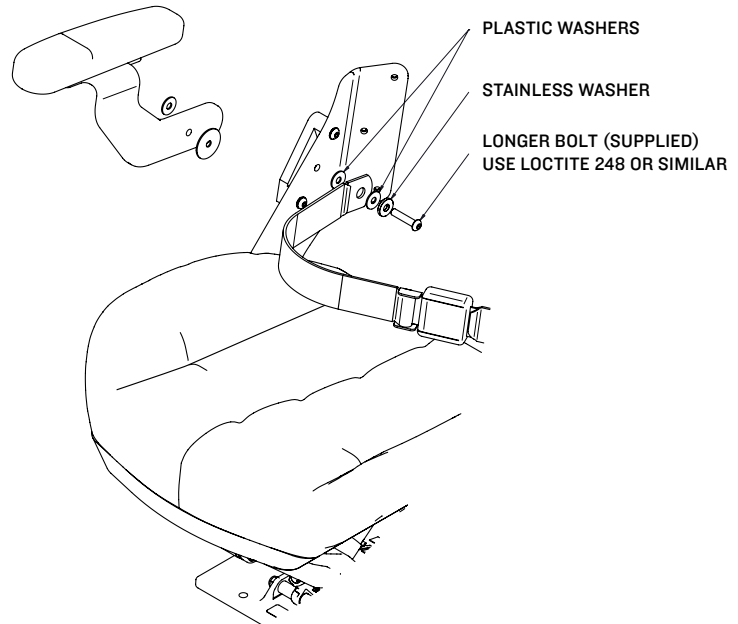
COMMANDER SEATBELT INSTRUCTIONS

1. Disassemble the backrest from the seat by removing the 6 fasteners located at the back of the backrest. The fasteners have a protective snap cap cover that can be released using a flat head screw driver.
2. Remove the arm rest and discard the main pivot bolt, this bolt is replaced with the longer bolt supplied with the seat belt. Washer stack up is critical for operation. Follow the drawing closely.
3. Apply thread locker to the main pivot bolt and re-install into the armrest. Ensure the armrest and seat belt is able to pivot with a small amount of resistance.



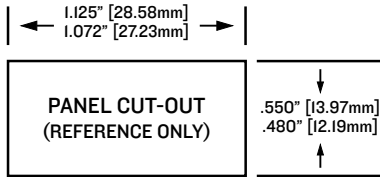
COMMANDER SEATBELT INSTRUCTIONS CONTINUED

4. Re-attach the backrest using the 6 fasteners, do not over tighten as it will distort the plastic snap cap washers.
5. Re-install the snap cap covers over the fastener heads.



HEATED SEAT WIRING INSTRUCTIONS (SOLD SEPARATELY)

1. Choose the location for the seat heat switch with a panel thickness of 0.105" [2.67mm] to 0.187" [4.75mm] and cut a hole to the size shown below.



2. Locate a 12 Volt DC positive and negative source that can provide 6 amps of 12 Volts DC power.
3. Connect the two black connectors on the Seat Harness to the matching connectors on the seat cushions.
4. Route the Seat Harness to the switch location and secure the harness appropriately.

HEATED SEAT WIRING INSTRUCTIONS CONTINUED

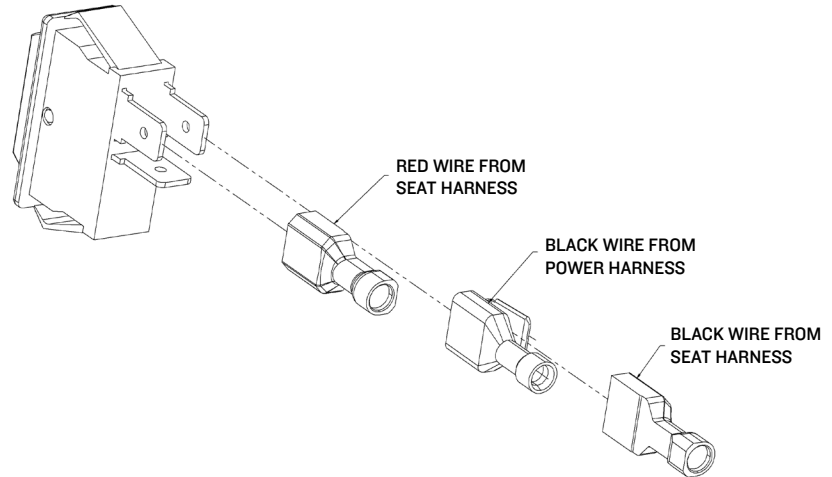
5. Route the Power Harness from the switch location to the 12 Volt DC source location and secure the Harness appropriately.



WARNING

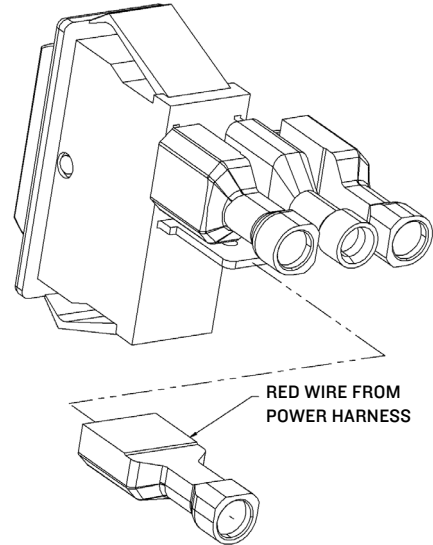
Do not connect the Power Harness to the 12 Volt DC source at this time.

6. Connect the red # 1 wire connector from the Seat Harness to terminal # 1 on the switch.
7. Connect the black # 3 wire piggyback connector from the Power Harness to terminal # 3 on the switch.
8. Connect the black # 3 wire connector from the Seat Harness to the spare terminal on the piggyback connector installed in step # 7.



HEATED SEAT WIRING INSTRUCTIONS CONTINUED

9. Connect the red wire from the Power Harness to the remaining unmarked terminal on the switch.
10. Install the switch into the hole made in step # 1.
11. Connect the black wire from the Power Harness to a 12 Volt DC negative source.



HEATED SEAT WIRING INSTRUCTIONS CONTINUED

12. Connect the red wire from the Power Harness to a 12 Volt DC positive source.
13. Turn on the seat heat switch.
14. Check that the seat cushions are providing heat and that the rocker switch is illuminated.



RECREATIONAL PRODUCT LINE



S5 SENTINEL SUSPENSION MODULE

BLACK: SW-07823-B
WHITE: SW-07823-W

The S5 Sentinel provides comfort and safety to boaters, offering them an experience they've never had before. It offers a smoother, safer and more comfortable ride, protecting occupants from the shock of wave impact. Recreational boaters can stay out longer and travel farther with less fatigue.



SHOCK PUMP

SW-01983

The high-pressure shock pump features an integrated pressure gauge and bleed valve for simple adjustment with a maximum inflation pressure of 350 psi. A SHOCKWAVE shock pump is required to operate the S5 Sentinel.



CUSTOM RISER BOXES

6" SW-07251 | 9" SW-07920

SHOCKWAVE offers riser boxes for customers needing additional height below their suspension module. Custom sizes can be ordered.



FOOTREST

SW-07507

Our height adjustable folding footrest has 6" of travel and is foot operated for ease of use. It offers a stable platform 17" wide and is designed to be bulkhead mounted on a console.



CUPHOLDER

SW-01688

The Commander Seat also offers an optional cupholder that can be attached to either side of the armrest. Available in black, this cupholder will hold your coffee, a can, or a generous sized cup or bottle.



SLIDE

SW-05489

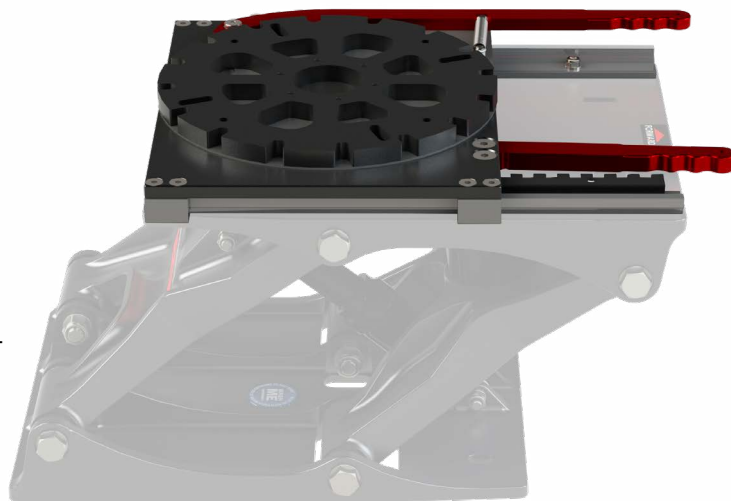
Our purpose-built Slide offers a full 5-inches of fore-aft travel, allowing for comfortable seating options for a wide variety of occupants and users. Our Slide pairs perfectly with the S5 Sentinel and the Commander Seat.



SWIVEL

SW-05592

This robust 360-degree Swivel is designed to pair with the S5 Sentinel and the Commander Seat. A positive lock engages every 22.5° (16 positions).



SWIVEL SLIDE

SW-05488

This Swivel Slide system has 5-inches of fore-aft travel and features premium track and cars for smooth operation. The 360-degree swivel has a positive lock that engages every 22.5° (16 positions).

WARRANTY AND WARRANTY POLICY

SHOCKWAVE Seats expressly warrants that all mechanical seat components in its MARINE AND OTHER and SUSPENSION SEATS shall be free from defects in material and workmanship for one year from the date-of-sale provided such seats are subject to normal use and receive proper maintenance. SHOCKWAVE Seats expressly warrants that the cushions and seat covers shall be free from defectively sewn seams for a period of 90 days or 750 hours of use, whichever comes first, excluding normal wear and tear. Rips, tears, abrasions and installation damages are not covered by warranty. Sentinel and S5 powder coat finish is not covered by warranty if corrosion is a result of abuse or lack of maintenance. Modules must be cleaned with fresh water after every use.

Your sole and exclusive remedy against Shockwave Seats arising from the purchase or use of MARINE AND OTHER and SUSPENSION SEATS is limited to repair or replacement of defective materials or defective workmanship, after verification by Shockwave Seats. Defective product or materials may be requested for return by SHOCKWAVE Seats for inspection prior to issuing any replacements. Freight charges for returns are to be covered by the user.

All warranty claims shall have prior approval from Shockwave Seats warranty department and must be accompanied by the information requested on the following Claim Form. Products will be repaired or replaced at the sole discretion of Shockwave Seats.

These warranties will become null and void if:

- The seat is abused or altered
- The seat is involved in an accident
- The seat is improperly installed
- The seat is used for other than its intended use, contrary to any of the instructions in the manual provided
- There is damage to the cushions and covers caused by cuts, burns, or abuse
- There is damage to the seat caused during installation or unpacking
- There is damage to the structural integrity as a result of the user installing unapproved accessories
- Footrests are mounted directly to seat
- Occupant weight exceed 250lbs [113kgs] for 3g deck accelerations

WARRANTY DISCLAIMERS AND LIMITATIONS OF LIABILITY

THE ABOVE EXPRESSED WARRANTIES SHALL BE THE EXCLUSIVE WARRANTIES, AND SHOCKWAVE SEATS MAKES NO OTHER WARRANTIES, EXPRESSED OR IMPLIED. SHOCKWAVE SEATS EXPRESSLY DISCLAIMS ANY IMPLIED WARRANTIES OF MERCHANTABILITY AND IMPLIED WARRANTIES OF FITNESS FOR A PARTICULAR PURPOSE.

IT IS AGREED THAT SHOCKWAVE SEATS SHALL NOT BE LIABLE FOR INCIDENTAL OR CONSEQUENTIAL DAMAGES, including, but not limited to, loss of income, loss of use, lost profits, damage to other property, the cost of removing and reinstalling the INDUSTRIAL SEATING or SUSPENSION SEATS, attorney's fees, and any liability you may have with respect to any other person.

TIME LIMIT ON COMMENCING LEGAL ACTION

It is agreed that you have one year from the accrual of a claim to commence any legal action arising from the purchase or use of the MARINE AND OTHER or SUSPENSION SEATS, or be barred forever. Failure to give prompt written notice within ten (10) days of the discovery of any defect in material or workmanship that occurs within the warranty period will void the warranty. Send notification to:

SHOCKWAVE SEATS Warranty Department

Unit 2-2075 Henry Avenue West, Sidney BC Canada V8L 1T2
Email: support@shockwaveseats.com - Phone: +1.250.656.6165

WARRANTY CLAIM FORM MUST BE SUBMITTED

Download your Warranty Claim Form at shockwaveseats.com/warranty

JOIN THE SHOCKWAVE COMMUNITY



 [@SHOCKWAVESEATS](https://www.facebook.com/shockwaveSeats)

 [@SHOCKWAVESEATS](https://www.instagram.com/shockwaveSeats)

 [youtube.com/shockwaveSeats](https://www.youtube.com/shockwaveSeats)

SHOCKWAVE

MARINE SUSPENSION SEATING